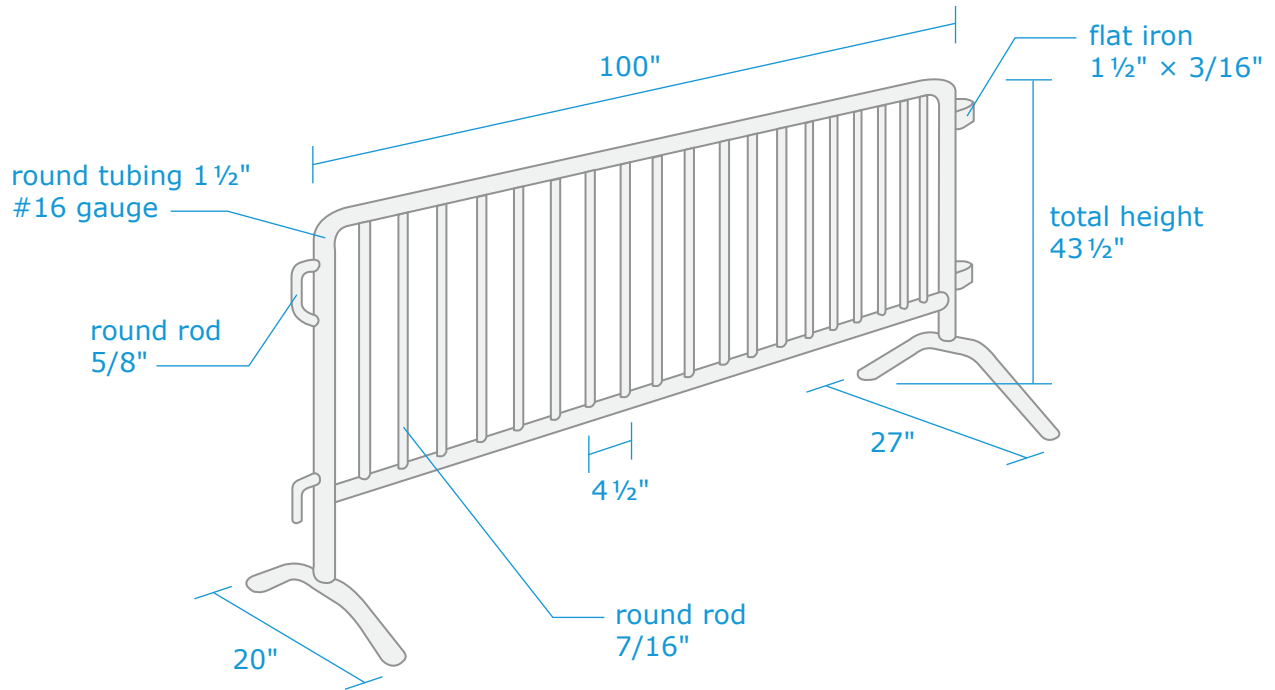
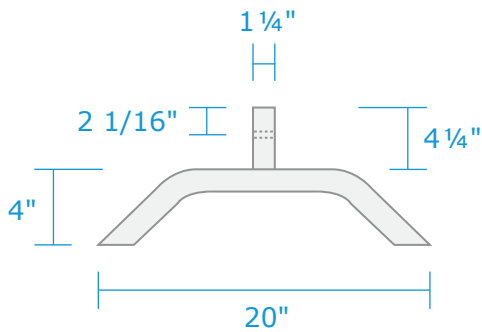


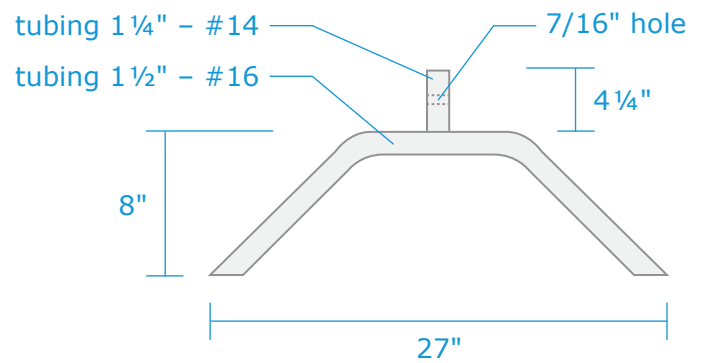
► **BARRICADE P.S. B100**



► **LEFT AND RIGHT LEGS**

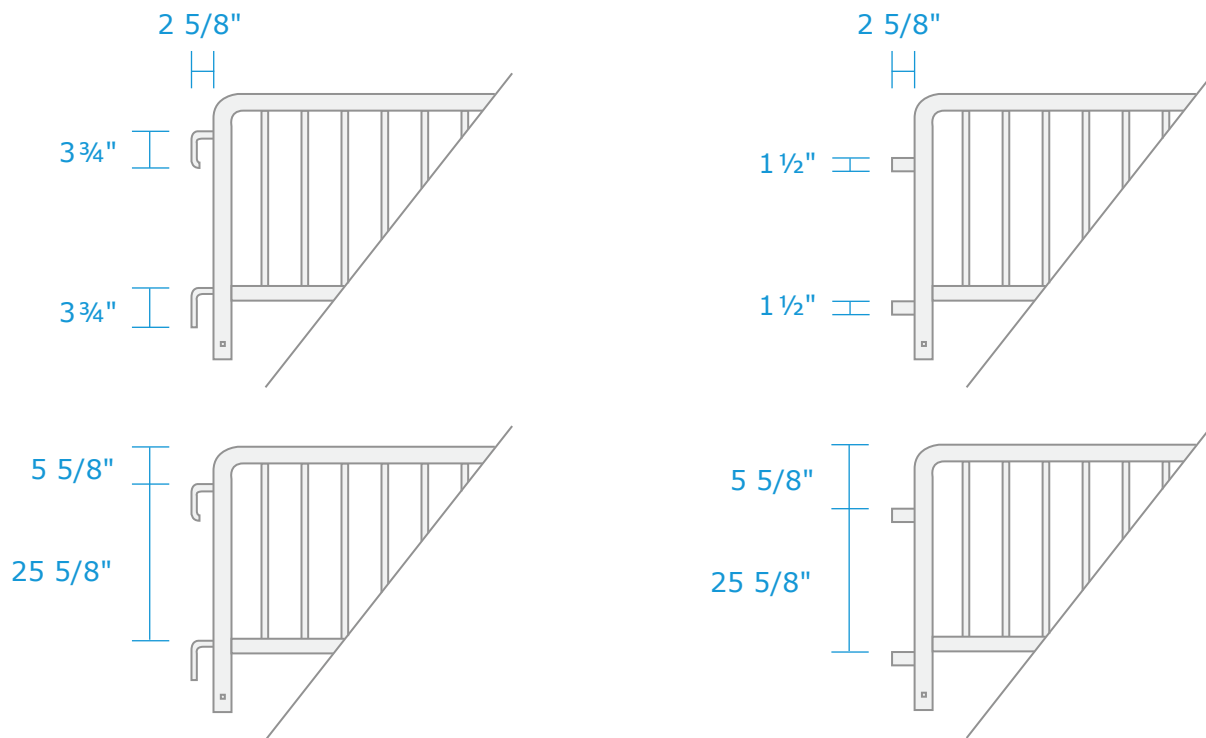


P.S. P20 LEG



P.S. P27 LEG

► HOOKS AND RINGS



► SPECIFICATIONS

> Dimensions

Each barricade is 100 in. long and 43 1/2 in. high.

The tubing used for the mainframe has an external diameter of 1 1/2 in. – #16 gauge.

The vertical rods between the mainframe tubing are solid with an external diameter of 7/16 in.

The space between them is 4 1/2 in.

> Components

Each barricade is comprised of:

- > a mainframe with vertical rods
- > two hooks (5/8 in. rod) on one end and
- > two rings (1 1/2 in. high and 3/16 in. thick) on the other end
- > two removable legs (small 20 in. and large 27 in.)
- > two bolts 2 1/2 in. × 5/16 in., with washers and nuts (galvanized steel).

> Composition

All components are rust proof and hot-dip galvanized.

All barricades are designed to be assembled and disassembled with a 30-degree angle between them.

> Weight

Mainframe: 48.5 lbs

Small leg: 1.5 lbs

Large leg: 2 lbs

Total: 52 lbs